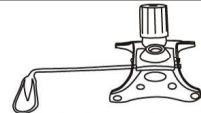
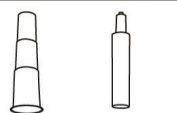


Montageanleitung

AMSTYLE®

A brand of lifestyle products
Bürostuhl Rivoli

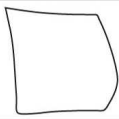
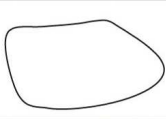
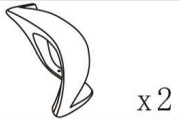
(1) Fußkreuz (2) Gasdruckfeder (3) Mechanik



(4) Armlehne

(5) Sitz

(6) Rücken

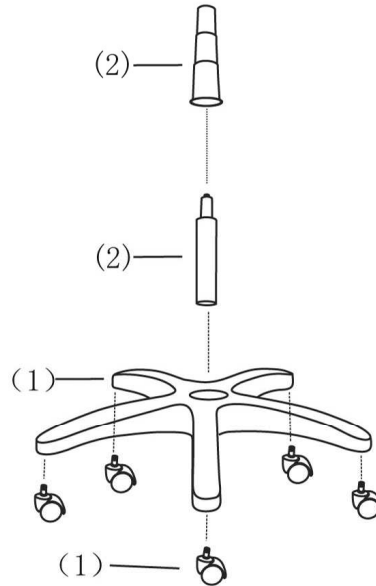


(7) Schrauben

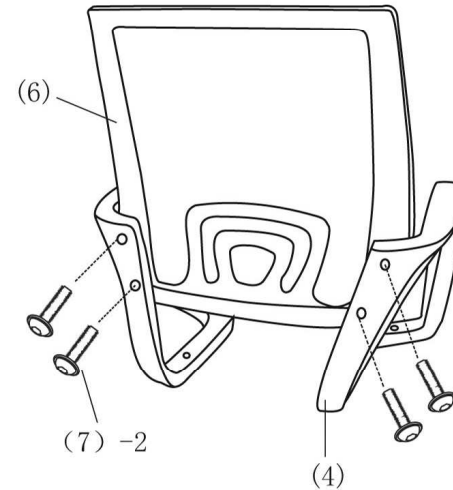
- | | | |
|----|--|--------------|
| 1. | | X4 (M6*25mm) |
| 2. | | X4 (1/4"*25) |
| 3. | | X4 (M6*30mm) |
| 4. | | X8 (6*16mm) |
| 5. | | X4 |
| 6. | | X1 (5mm) |



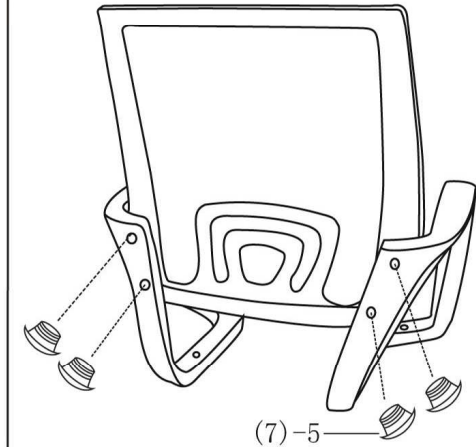
A



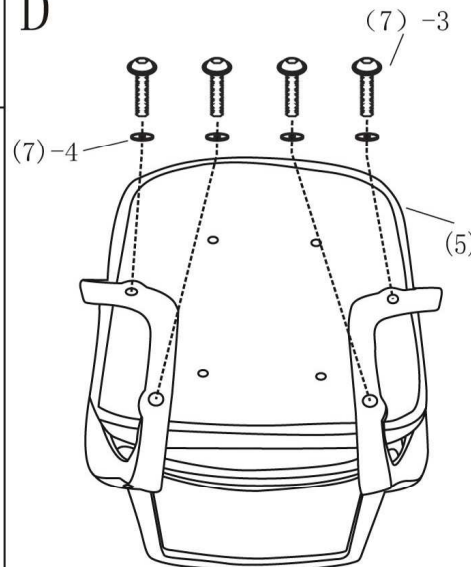
B



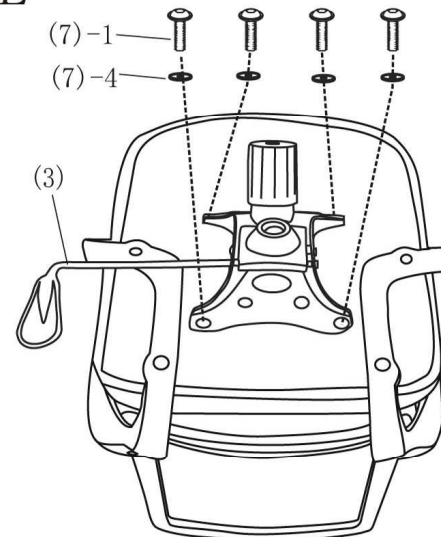
C



D



E



F

