

# Montageanleitung

# AMSTYLE®

A brand of lifestyle products  
Bürostuhl Rivoli

(1) Fußkreuz

(2) Gasdruckfeder

(3) Mechanik

A

B







C

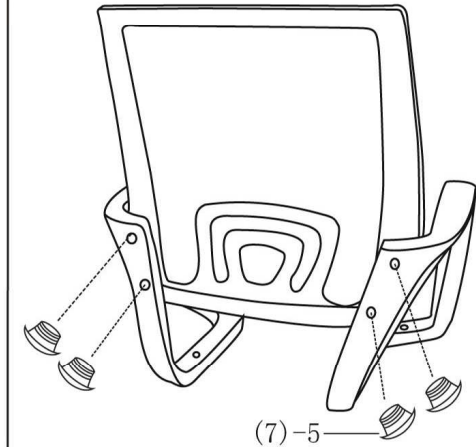
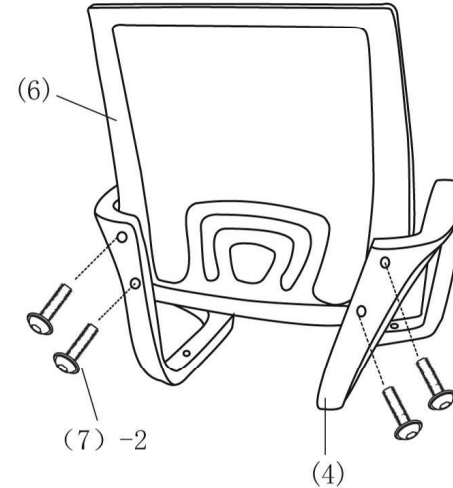
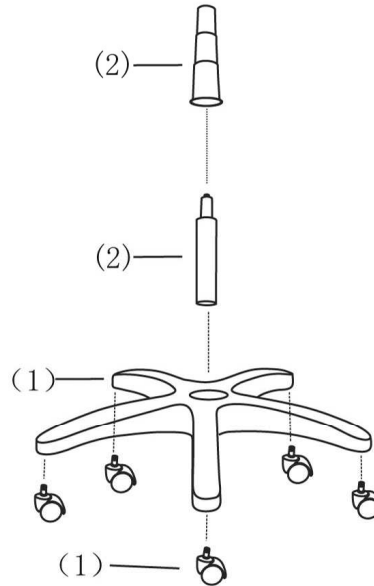
(4) Armlehne

(5) Sitz

(6) Rücken

(7) Schrauben

- |    |   |              |
|----|---|--------------|
| 1. |  | X4 (M6*25mm) |
| 2. |  | X4 (1/4"*25) |
| 3. |  | X4 (M6*30mm) |
| 4. |  | X8 (6*16mm)  |
| 5. |  | X4           |
| 6. |  | X1 (5mm)     |



D

E

F

