

# Montageanleitung

# AMSTYLE®

A brand of lifestyle products  
Bürostuhl Rivoli

(1) Fußkreuz

(2) Gasdruckfeder

(3) Mechanik

A

B







C

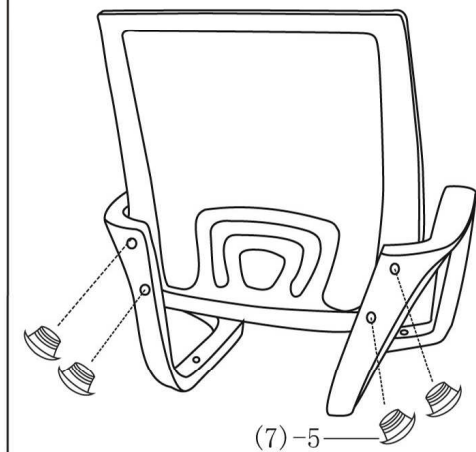
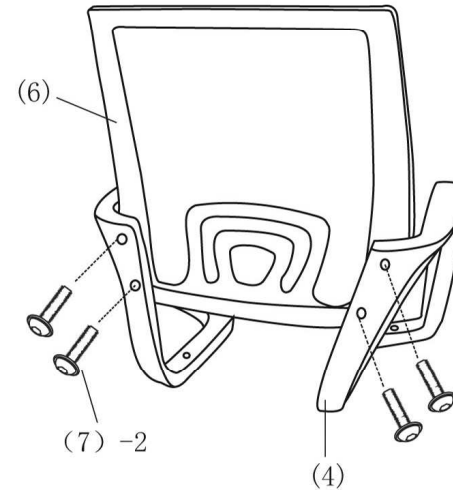
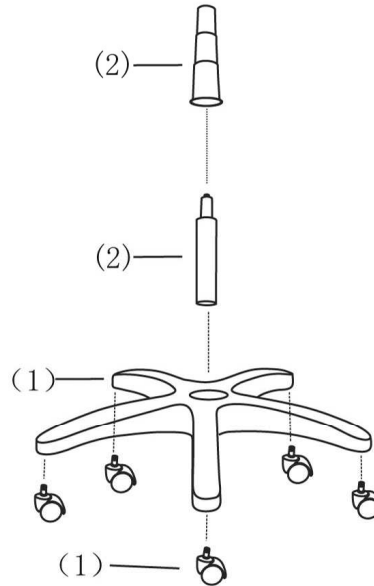
(4) Armlehne

(5) Sitz

(6) Rücken

(7) Schrauben

- |    |                                                                                   |               |
|----|-----------------------------------------------------------------------------------|---------------|
| 1. |  | X4 (M6*25mm)  |
| 2. |  | X4 (1/4\"*25) |
| 3. |  | X4 (M6*30mm)  |
| 4. |  | X8 (6*16mm)   |
| 5. |  | X4            |
| 6. |  | X1 (5mm)      |



D

E

F

