

Montageanleitung

AMSTYLE®

A brand of lifestyle products
Bürostuhl Rivoli

(1) Fußkreuz

(2) Gasdruckfeder

(3) Mechanik

A

B







C

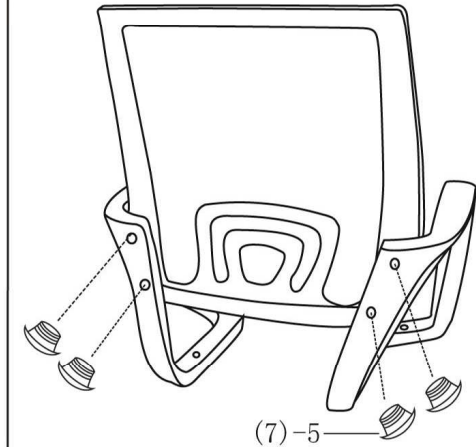
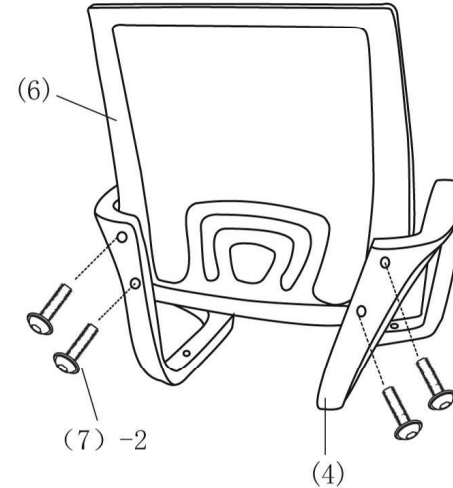
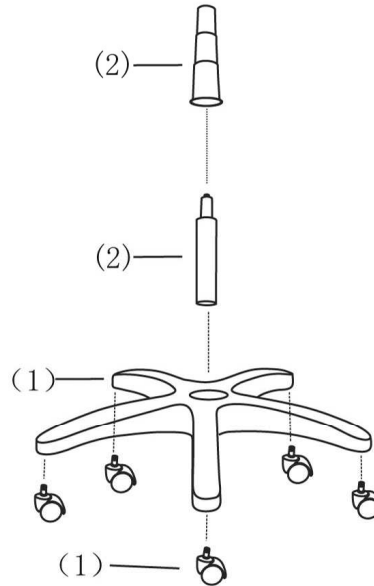
(4) Armlehne

(5) Sitz

(6) Rücken

(7) Schrauben

- | | | |
|----|-----------------------------------------------------------------------------------|--------------|
| 1. |  | X4 (M6*25mm) |
| 2. |  | X4 (1/4"*25) |
| 3. |  | X4 (M6*30mm) |
| 4. |  | X8 (6*16mm) |
| 5. |  | X4 |
| 6. |  | X1 (5mm) |



D

E

F

