

# Montageanleitung

# AMSTYLE®

A brand of lifestyle products

Chefsessel Florenz Deluxe

(1) Fußkreuz



(2) Gasdruckfeder



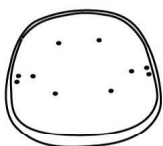
(3) Mechanik



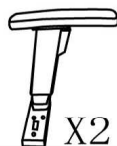
(4) Rücken



(5) Sitz



(6) Armlehne



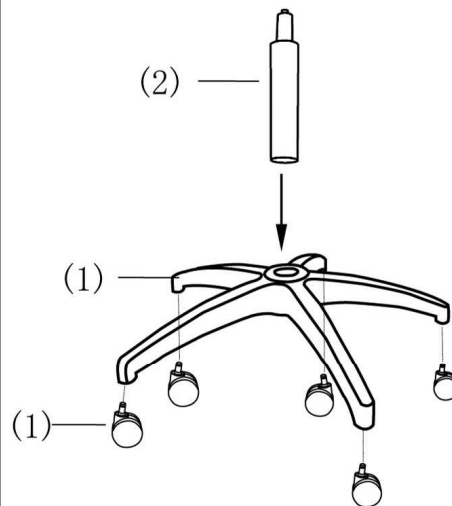
X2

(7) Schrauben

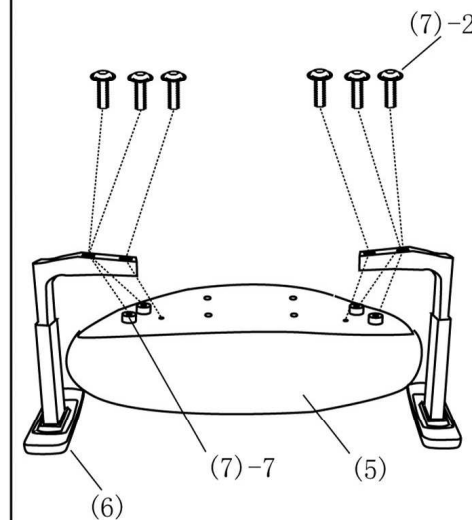
- |    |  |              |
|----|--|--------------|
| 1. |  | X4 (M6*20mm) |
| 2. |  | X6 (M6*30mm) |
| 3. |  | X2 (M6*35mm) |
| 4. |  | X3 (M8*20mm) |
| 5. |  | X4 (6*16mm)  |
| 6. |  | X3 (8*17mm)  |
| 7. |  | X4 (5mm)     |
| 8. |  | X1 (5mm)     |



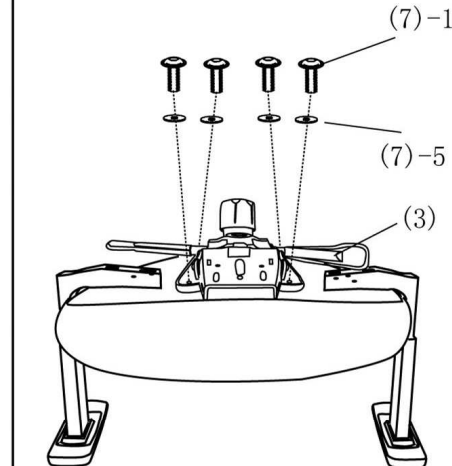
A



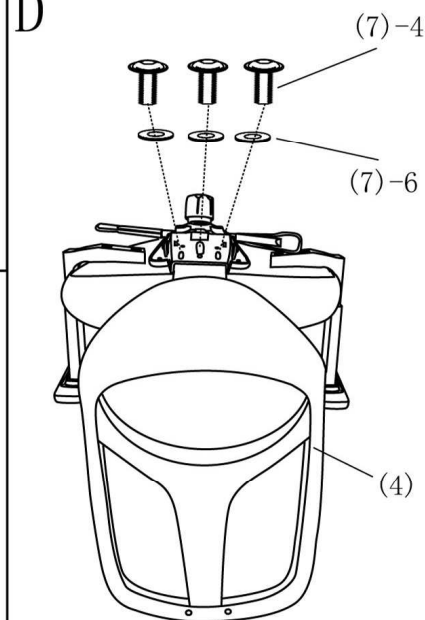
B



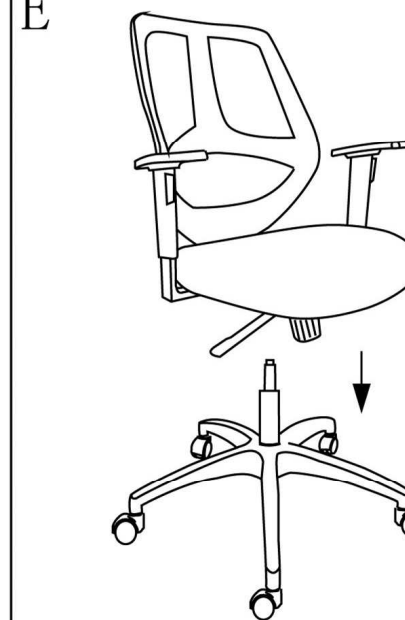
C



D



E



F

