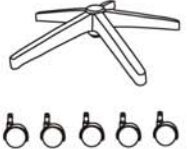
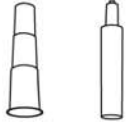
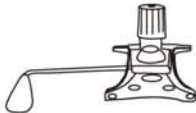
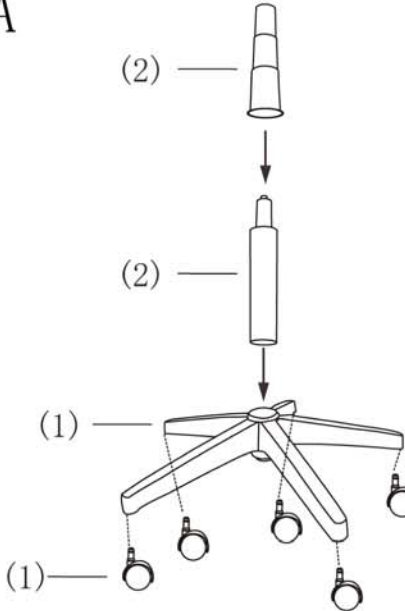
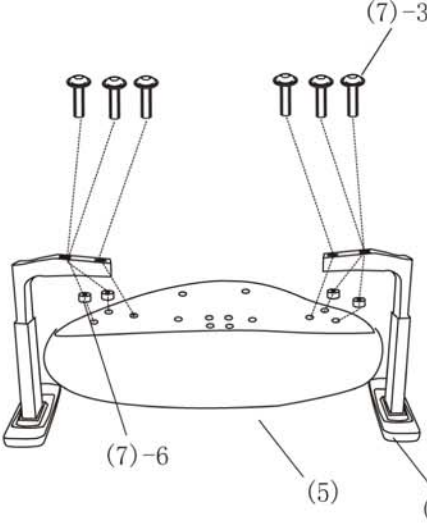
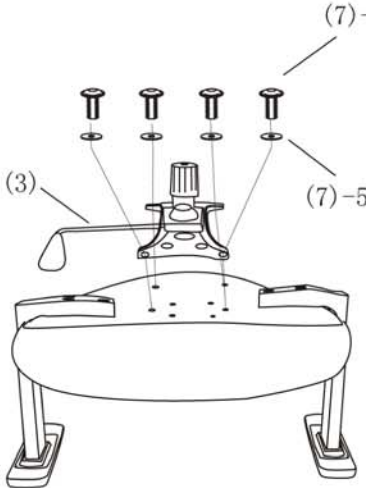

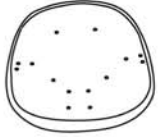

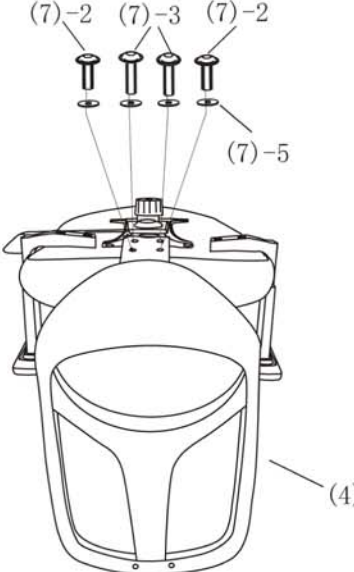
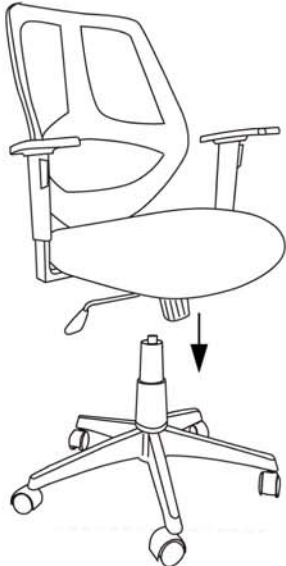
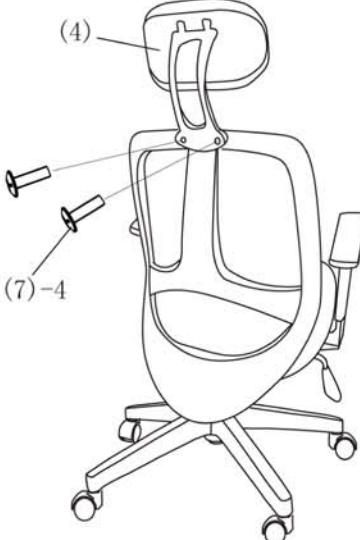









Montageanleitung

AMSTYLE®

A brand of lifestyle products

Chefsessel Florenz-2

(1) Fußkreuz	(2) Gasdruckfeder	(3) Mechanik	A	B	C
					
(4) Rücken	(5) Sitz	(6) Armlehne	D	E	F
		 x2			
(7) Schrauben <ul style="list-style-type: none"> 1.  X4 (M6*20mm) 2.  X2 (M6*25mm) 3.  X8 (M6*30mm) 4.  X2 (M6*30mm) 5.  X8 (6*16mm) 6.  X4 (5mm) 7.  X1 (5mm) 					
