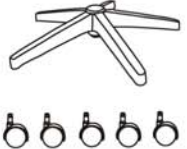
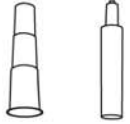
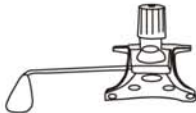
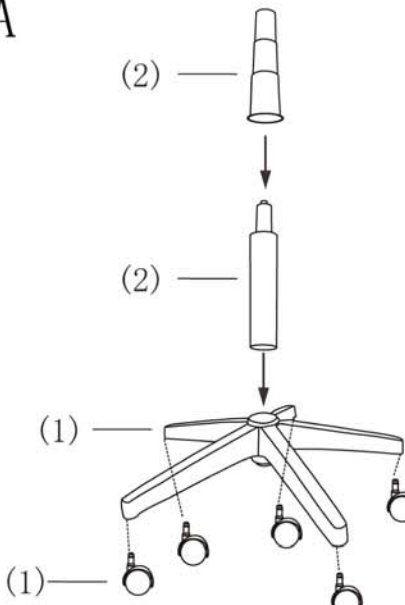
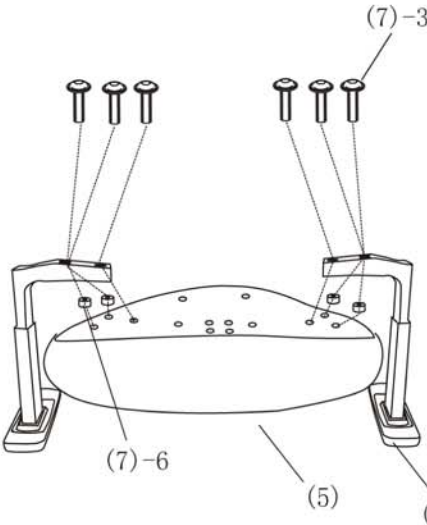
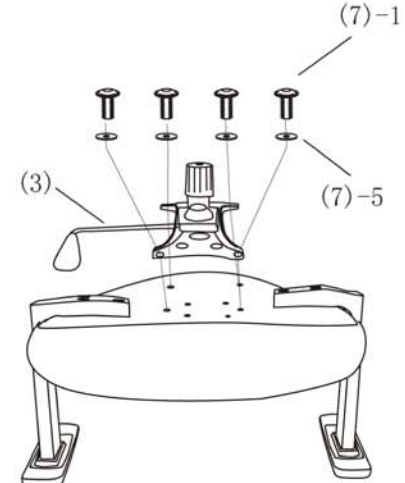

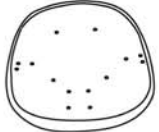

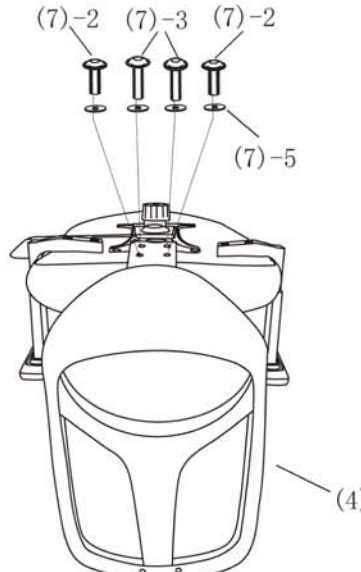
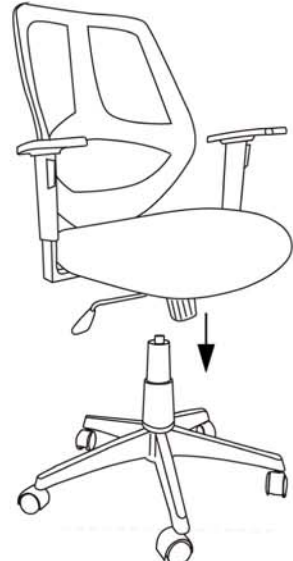
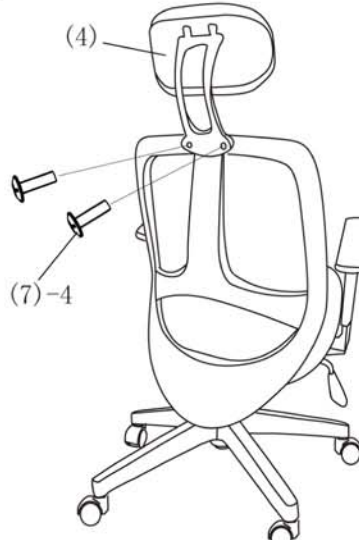























# Montageanleitung

**AMSTYLE®**

A brand of lifestyle products

Chefsessel Florenz-2

(1) Fußkreuz	(2) Gasdruckfeder	(3) Mechanik	A	B	C																					
																										
(4) Rücken	(5) Sitz	(6) Armlehne	D	E	F																					
		 x2																								
<p>(7) Schrauben</p> <table border="0"> <tr> <td>1.</td> <td></td> <td>X4 (M6*20mm)</td> </tr> <tr> <td>2.</td> <td></td> <td>X2 (M6*25mm)</td> </tr> <tr> <td>3.</td> <td></td> <td>X8 (M6*30mm)</td> </tr> <tr> <td>4.</td> <td></td> <td>X2 (M6*30mm)</td> </tr> <tr> <td>5.</td> <td></td> <td>X8 (6*16mm)</td> </tr> <tr> <td>6.</td> <td></td> <td>X4 (5mm)</td> </tr> <tr> <td>7.</td> <td></td> <td>X1 (5mm)</td> </tr> </table>			1.		X4 (M6*20mm)	2.		X2 (M6*25mm)	3.		X8 (M6*30mm)	4.		X2 (M6*30mm)	5.		X8 (6*16mm)	6.		X4 (5mm)	7.		X1 (5mm)			
1.		X4 (M6*20mm)																								
2.		X2 (M6*25mm)																								
3.		X8 (M6*30mm)																								
4.		X2 (M6*30mm)																								
5.		X8 (6*16mm)																								
6.		X4 (5mm)																								
7.		X1 (5mm)																								
