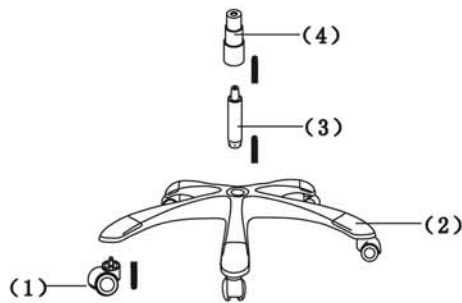


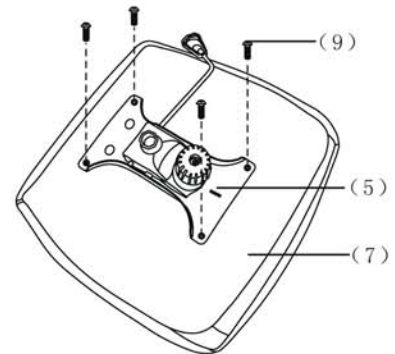


(1) × 5		(9) × 4	
(2) × 1		(10) × 4	
(3) × 1		(11) × 4	
(4) × 1		(12) × 1	
(5) × 1		(13) × 4	
(6) × 1		(14) × 4	
(7) × 1		(15) × 4	
(8) × 1L×1R			

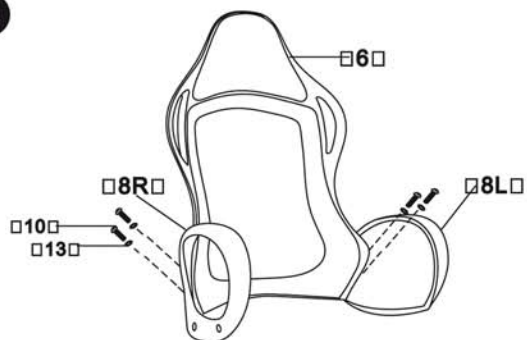
1



2



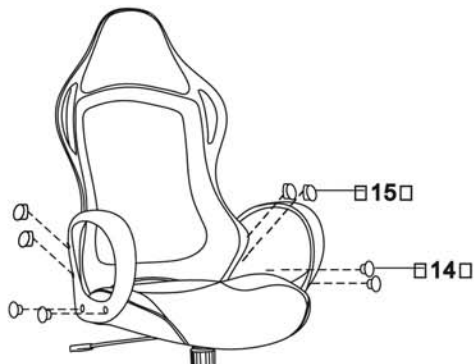
3



4



5



6

